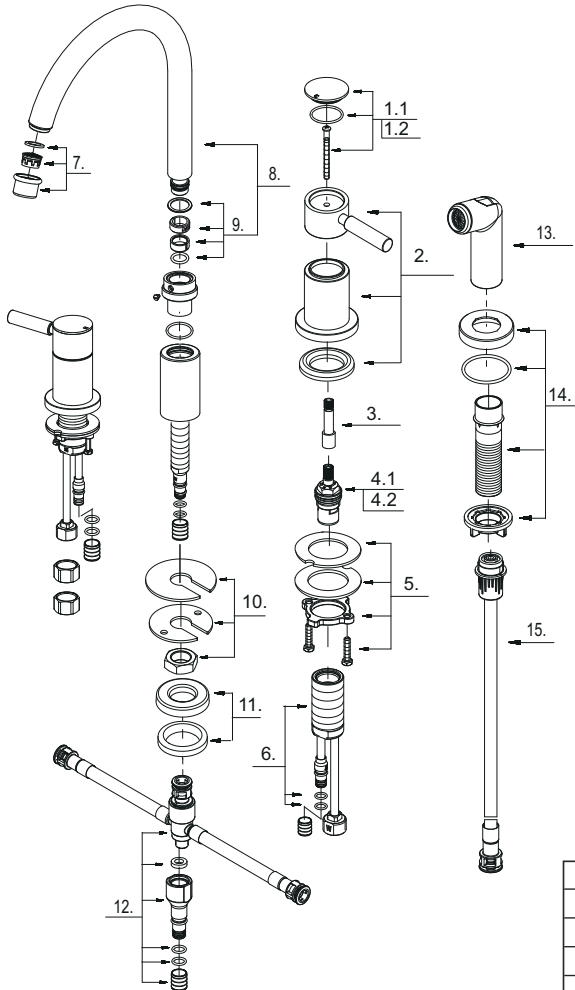


CERAMIC

KITCHEN

Features:

- Metal lever handles
- Matching finish spray
- Ceramic cartridges
- Water saving aerator



1.1	Index Button-Cold
1.2	Index Button-Hot
2	Metal Handle Assembly
3	Stem Extension
4.1	Ceramic Disc Cartridge-Cold
4.2	Ceramic Disc Cartridge-Hot
5	Mounting Hardware Assembly
6	Handle Valve Body
7	Aerator
8	Spout Assembly
9	Spout Seal Kit
10	Mounting Hardware
11	Spout Trim Ring
12	Supply Hose
13	Side Spray
14	Spray Holder Assembly(3-15/16" L)
15	Spray Hose



10302
Chrome Finish
With Matching Finish Spray

