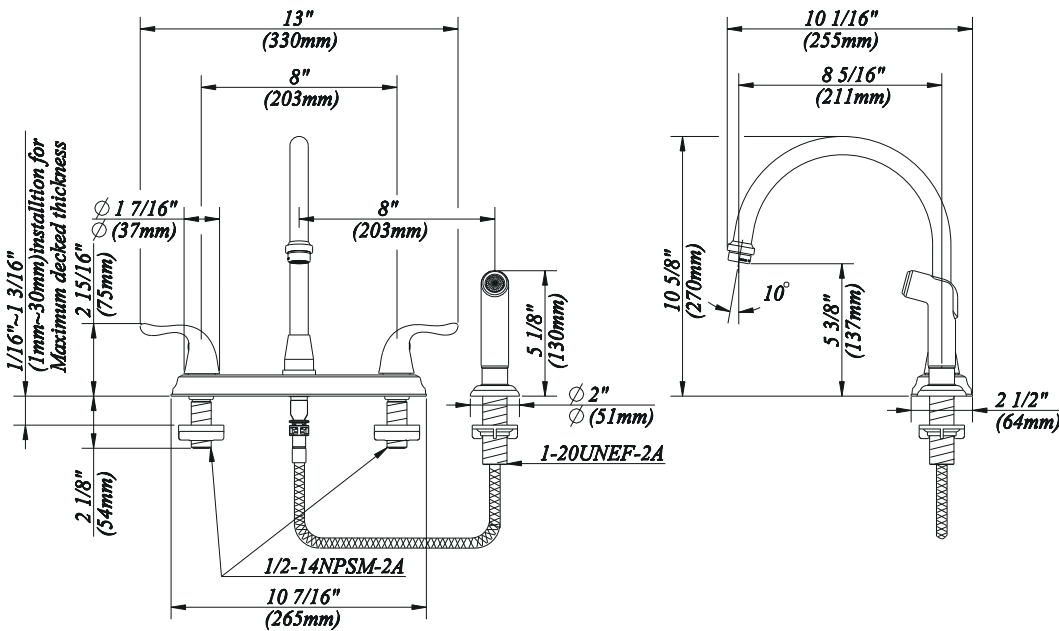


# CERAMIC

# KITCHEN

## Features:

- Metal lever handles
- Water saving aerator
- Ceramic cartridges
- 8" center distance
- Matching finish spray



**10201**  
**Chrome Finish**  
**With Matching Finish Spray**

**10202**  
**Brushed Nickel Finish**  
**With Matching Finish Spray**

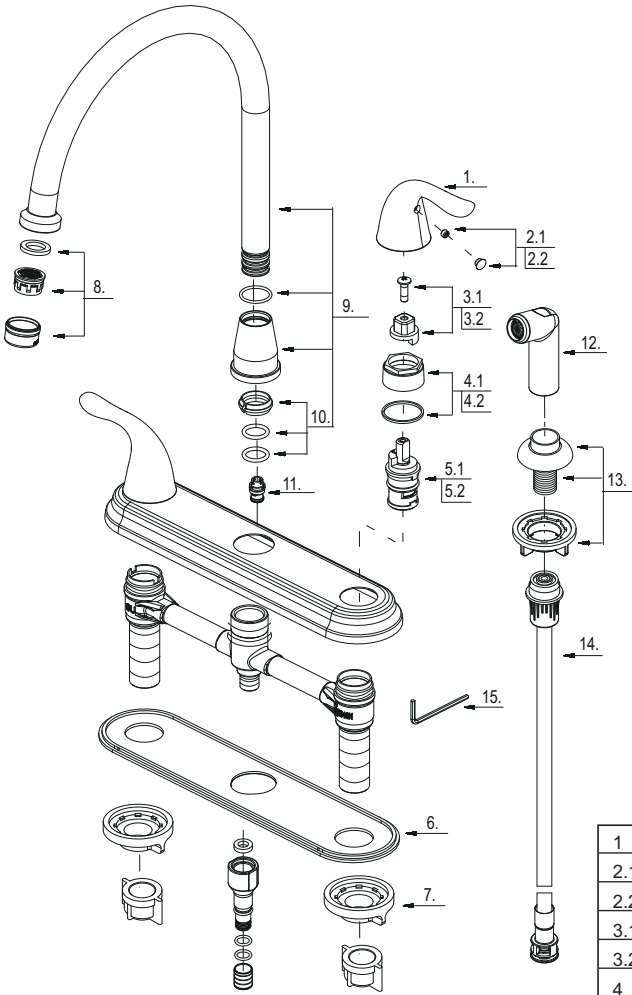


# CERAMIC

# KITCHEN

## Features:

- Metal lever handles
- Water saving aerator
- Ceramic cartridges
- 8" center distance
- Matching finish spray



1	Metal Handle
2.1	Index Button-Cold
2.2	Index Button-Hot
3.1	Handle Adaptor-Cold
3.2	Handle Adaptor-Hot
4	Retainer Nut & Washer
5.1	Ceramic Disc Cartridge -Cold
5.2	Ceramic Disc Cartridge -Hot
6	Putty Plate
7	Lock Nut Set
8	Aerator
9	Spout Assembly
10	Spout Seal Kit
11	Spray Diverter w/Vacuum Breaker
12	Side Spray
13	Spray Holder Assembly(3-15/16" L)
14	Spray Hose
15	Hex Wrench (H2.5 * 19 mm L * 53 mm L)



**10201**  
**Chrome Finish**  
**With Matching Finish Spray**

**10202**  
**Brushed Nickel Finish**  
**With Matching Finish Spray**

